



MODEL / MODÈLE : PB21FP
PART / PIÈCE : 10842, 10889

**FOR OUTDOOR AND HOUSEHOLD USE ONLY.
NOT FOR COMMERCIAL USE. FUEL NOT INCLUDED.**

**POUR UN USAGE EXTÉRIEUR ET DOMESTIQUE SEULEMENT.
PAS POUR USAGE COMMERCIAL. CARBURANT NON INCLUS.**

PB21FP

WOOD PELLET FIRE PIT

IMPORTANT, READ CAREFULLY, RETAIN
FOR FUTURE REFERENCE. MANUAL MUST
BE READ BEFORE OPERATING!

FOYER À GRANULÉS DE BOIS

IMPORTANT, PRENEZ CONNAISSANCE DE
CE DOCUMENT ET CONSERVEZ-LE POUR
RÉFÉRENCE ULTÉRIEURE VOUS DEVEZ LIRE
CE GUIDE AVANT D'UTILISER LE FOYER!

POZO DE FUEGO PARA PELLETS DE MADERA

IMPORTANTE, LEER DETENIDAMENTE,
CONSERVAR PARA REFERENCIA FUTURA.
LEA EL MANUAL ANTES DEL USO!



ASSEMBLY AND OPERATION ASSEMBLAGE ET FONCTIONNEMENT | MONTAJE Y OPERACIÓN

WARNING: PLEASE READ THE ENTIRE MANUAL BEFORE INSTALLATION AND USE. FAILURE TO FOLLOW THESE INSTRUCTIONS COULD RESULT IN PROPERTY DAMAGE, BODILY INJURY OR EVEN DEATH. CONTACT LOCAL BUILDING OR FIRE OFFICIALS ABOUT RESTRICTIONS AND INSTALLATION INSPECTION REQUIREMENTS IN YOUR AREA.

AVERTISSEMENT: VEUILLEZ LIRE L'INTEGRALITÉ DU MANUEL AVANT L'INSTALLATION ET L'UTILISATION. LE NON-RESPECT DE CES INSTRUCTIONS PEUT ENTRAÎNER DES DOMMAGES AUX BIENS, DES BLESSURES OU MÊME LA MORT. COMMUNIQUEZ AVEC LES AUTORITÉS LOCALES EN MATIÈRE D'INCENDIE ET DE BATIMENT CONCERNANT LES RESTRICTIONS ET LES EXIGENCES D'INSTALLATION DANS VOTRE RÉGION.

ADVERTENCIA: LEA EL MANUAL COMPLETO ANTES DE INSTALAR Y UTILIZAR. INCUMPLIR ESTAS INSTRUCCIONES PODRÍA CAUSAR DAÑOS MATERIALES, LESIONES CORPORALES, E INCLUSO LA MUERTE. CONSULTE A SUS FUNCIONARIOS LOCALES DE CONSTRUCCIÓN Y CONTROL DE INCENDIOS PARA INFORMARSE SOBRE LAS RESTRICCIONES Y LOS REQUISITOS DE INSPECCIÓN DE INSTALACIONES EN SU REGIÓN.

SAFETY INFORMATION

MAJOR CAUSES OF UNCONTROLLED FIRES ARE A RESULT OF POOR CARE AND A FAILURE TO MAINTAIN REQUIRED CLEARANCE TO COMBUSTIBLE MATERIALS. IT IS OF UTMOST IMPORTANCE THAT THIS PRODUCT BE USED ONLY IN ACCORDANCE WITH THE FOLLOWING INSTRUCTIONS.

Please read and understand this entire manual before attempting to assemble and operate the product. This will ensure you receive the most enjoyable and trouble-free use of your new Fire Pit. We also advise you retain this manual for future reference.

DANGERS AND WARNINGS

You must contact your local home association, building or fire officials, or authority having jurisdiction, to obtain the necessary permits, mission or information on any installation restrictions, such as any Fire Pit being installed on a combustible surface, inspection requirements or even ability to use, in your area.

1. A minimum clearance of 2.4 m (96 inches) from combustible constructions to all sides of the Fire Pit to combustible constructions must be maintained. **Do not position on combustible floors, or floors protected with combustible surfaces unless proper permits and permissions are obtained by authorities having jurisdiction.** Do not use in vehicles, tents, indoors or in an enclosed, unventilated area. Do not place under overhead combustible ceiling, overhang, or canopy of trees. Keep your Fire Pit in an area clear and free from combustible materials, gasoline and other flammable vapors and liquids.

Do not leave fire unattended. Use of an all-class (class ABC) approved fire extinguisher is valuable to keep on site. If an uncontrolled fire does occur, call the Fire Department.

2. This Fire Pit is designed for burning hardwood pellets, firewood logs or wood chunks only.

Do not use charcoal, spirit, petrol, gasoline or kerosene for lighting or refreshing a fire in your Fire Pit. Keep all such liquids well away from the appliance when in use.

3. Ensure that the Wind Break is secured over the Burner while in use. During use, this unit can reach extreme temperatures that can cause serious injury. It is recommended to use a poker, heat-resistant barbecue mitts or gloves when using the Fire Pit. Do not use accessories not specified for use with this unit. Do not put a cover or anything flammable on the unit while in use. Ensure the Fire Pit have cooled before placing a cover overtop.

4. Do not transport your Fire Pit while in use or while the Fire Pit is hot. Ensure the fire is completely out and that the Fire Pit is completely cool to the touch before moving.
5. Parts of the Fire Pit may be very hot and serious injury may occur. Do not touch surface while in use. Keep young children and pets away while in use.

This unit is not recommended for children, persons with reduced physical, sensory or mental capabilities, or lack of experience and knowledge, unless they are under direct supervision or instruction by a person responsible for their safety.

6. Do not enlarge, modify or alter this product. Failure to follow this warning could lead to a fire hazard and/or bodily harm, and will void your warranty.
7. After a period of storage, or non-use, check the interior of the Burner for foreign objects, and any air blockage around the fan intake holes. Regular care and maintenance is required to prolong the lifespan of your unit. If the Fire Pit is stored outside during the rainy season or seasons of high humidity, wood pellets will expand greatly, decompose, and may jam the airflow system.

WOOD FUEL

This appliance is designed and approved for wood fuel only. Any other type of fuel burned in this appliance will void the warranty and safety listing. Do not use fuel with additives. Wood pellets are highly susceptible to moisture and should always be stored in an airtight container. If you are storing your Fire Pit, without use, for an extended period, we recommend clearing all ash and remaining fuel from the ash pan to avoid air blockage. The pellet fuel mean heating value in 8000-8770 BTU/LB, ash content < 1%.

Do not use spirit, petrol, gasoline, lighter-fluid or kerosene for lighting or refreshing a fire in your Fire Pit. Keep all such liquids well away from the appliance when in use.

At time of printing, there is no industry standard for barbecue wood pellets, although most pellet mills use the same standards to make wood pellets for domestic use. Further information can be found at www.pelletheat.org or the Pellet Fuel Institute. Contact your local dealer on the quality of pellets in your area and for information on brand quality. As there is no control over the quality of pellets used, we assume no responsibility to damage caused by poor quality of fuel.

DISPOSAL OF ASHES

Ashes should be placed in a metal container with a tight-fitting lid. The closed container of ashes should be placed on a non-combustible floor or on the ground, well away from all combustible materials, pending final disposal. When ashes are disposed by burial in soil, or otherwise locally dispersed, they should be retained in a closed container until all cinders have thoroughly cooled.

CARBON MONOXIDE (“THE SILENT KILLER”)

Carbon monoxide is a colorless, odorless, tasteless gas produced by burning gas, wood, propane, charcoal or other fuel. Carbon monoxide reduces the blood’s ability to carry oxygen. Low blood oxygen levels can result in headaches, dizziness, weakness, nausea, vomiting, sleepiness, confusion, loss of consciousness or death. Follow these guidelines to prevent this colorless, odorless gas from poisoning you, your family, or others:

- See a doctor if you or others develop cold or flu-like symptoms while cooking or in the vicinity of the unit. Carbon monoxide poisoning, which can easily be mistaken for a cold or flu, is often detected too late.
- Alcohol consumption and drug use increase the effects of carbon monoxide poisoning.

Carbon monoxide is especially toxic to mother and child during pregnancy, infants, the elderly, smokers, and people with blood or circulatory system problems, such as anemia, or heart disease.



COPYRIGHT NOTICE

Copyright 2021. All right reserved. No part of this manual may be copied, transmitted, transcribed, stored in a retrieval system, in any form or by any means without expressed written permission of,

Danson's

8877 N. Gainey Center Dr., Scottsdale, AZ 85258

www.pitboss-grills.com

Customer Care

USA: (480) 923-9630

Canada (Toll-Free): 1-877-942-2246

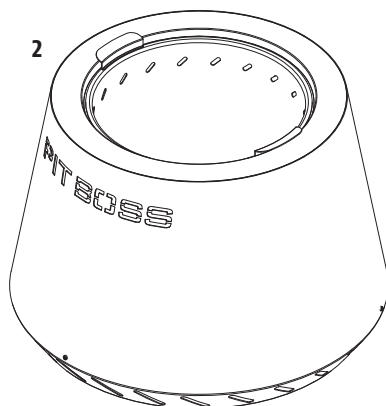
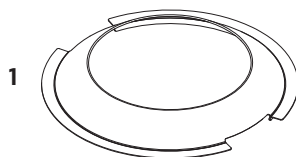
TABLE OF CONTENTS

Safety Information	2
Parts & Specs.....	5
Assembly Preparation.....	6
Assembly Instructions	6
Instructions For Use	
Lighting Instructions	7
Tending The Fire.....	7
Extinguishing The Fire.....	7
Travel And Storage	7
Care & Maintenance	8
Replacement Parts.....	9
Warranty.....	10

PARTS & SPECS

Part#	Description
1	Wind Break (x1)
2	Burner (x1)

NOTE: Due to ongoing product development, parts are subject to change without notice. Contact Customer Care if parts are missing when assembling the unit.



MODEL	ASSEMBLED (WxDxH)	WEIGHT
PB PB21FP	578.8 MM X 578.8 MM X 464 MM / 22.7 IN. X 22.7 IN. X 18.3 IN.	15.6 KG / 34.39 LB

ASSEMBLY PREPARATION

Parts are located throughout the shipping carton, including inside the Burner. Unpack the unit and parts by removing all packaging materials. Before assembly, review all parts and reference the parts list. If any part is missing or damaged, do not attempt to assemble. Shipping damage is not covered under warranty. Contact your dealer or Pit Boss® Customer Care for parts.

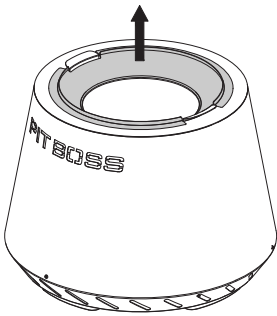
www.pitboss-grills.com

USA: (480) 923-9630 | Canada: 1-877-942-2246

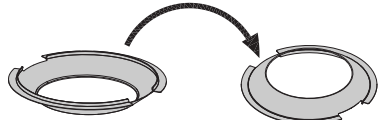
Tool required for assembly: none.

ASSEMBLY INSTRUCTIONS

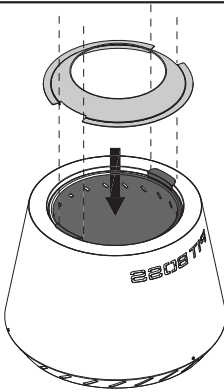
1



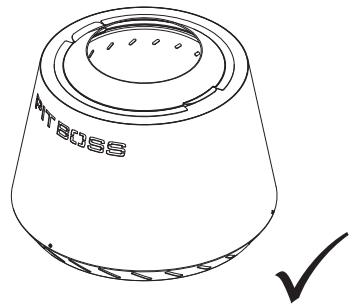
2



3



4



INSTRUCTIONS FOR USE

LIGHTING INSTRUCTIONS

1. Start by filling the Burner of your Fire Pit with hardwood pellets. Wood chips, wood chunk, or firewood logs can also be used, but best results are using hardwood pellets.

WARNING: Do not fill past the fill-line indicator holes, as this will block airflow for the secondary burn (flame).

2. Insert lighter gel, liquid fire starter, or apply lighter-fluid to multiple areas of the fuel.
3. Use either a long handled lighter or match to light firestarter in several locations.

WARNING: Do not use charcoal, spirit, petrol, gasoline or kerosene for lighting your Fire Pit. This could cause serious injury.

4. Fire will quickly build in the Burner, ready for enjoyment.

TENDING THE FIRE

Should the fire begin to diminish, or to extend your burn time, periodically add more fuel into the Burner while the fire is still burning. Add a small handful of fuel can be added to one side of the Burner. If using wood pellets as fuel, add small quantities at a time. Excessive amounts of wood pellets added at one time could lead to smothering of fire and excessive smoke.

CAUTION: During use, this unit can reach extreme temperatures that can cause serious injury. It is recommended to use a heat-resistant barbecue mitts or gloves when adding fuel to avoid injury.

EXTINGUISHING THE FIRE

To extinguish the fire, allow all fuel to burn out.

CAUTION: Do not use water to put out the Fire Pit. This can be harmful to the structure of the Fire Pit and heavily decrease its lifetime.

TRAVEL AND STORAGE

The Fire Pit can quickly and easily be relocated for enjoyment or travel.

IMPORTANT: Always ensure the Fire Pit is completely cooled before moving. Ensure the ash in the bottom of the unit is also removed.

1. Lift the Wind Break and flip upside-down. Replace onto top of unit.
2. Using two people, carefully lift the Fire Pit and move to desired location.

CARE & MAINTENANCE

Any Pit Boss® unit will give you many years of use with minimum cleaning. Follow these cleaning and maintenance tips to service your Fire Pit and extend its lifetime:

1. *BURNER COMPONENTS*

- It is recommended to empty the Burner and Ash Pan after every few uses. This will avoid any hard build-up of debris or ash in the bottom. When cool and all fuel has burned completely, lift the Burner Shell off the Ash Pan to dispose of ashes.
- With regular use, the bottom of the Burner may discolor. This is a normal occurrence and should not be considered a defect of the product.

2. *EXTERIOR*

- Wipe the Burner Shell and Wind Break down as needed. Ensure the Fire Pit is completely cool prior to cleaning.
- A cover is your best protection against weather and outside pollutants. When not in use or for longterm storage, keep the unit under a cover in a garage or shed.

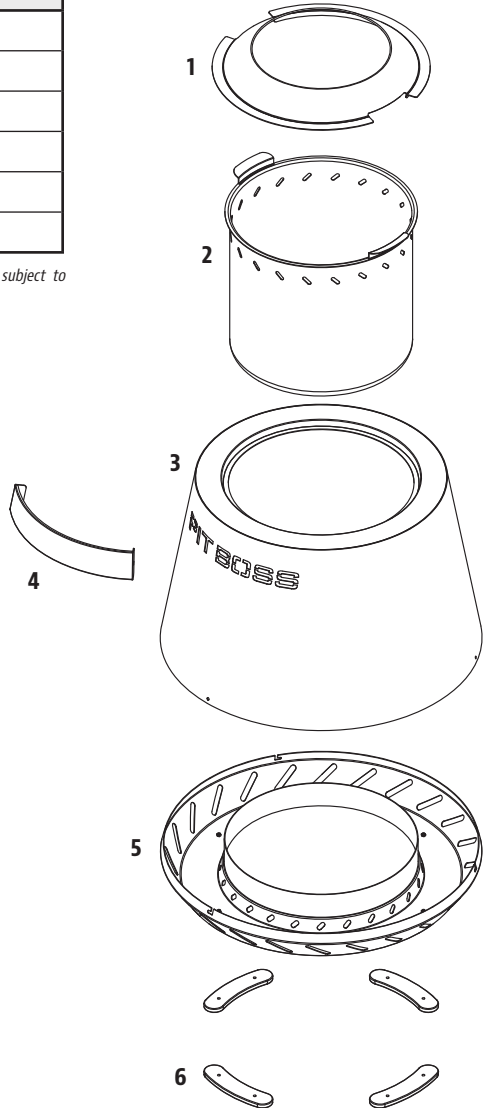
CLEANING TIME TABLE (NORMAL USE)

ITEM	CLEANING FREQUENCY	CLEANING METHOD
Burner Shell, Wind Break	As Needed	Cloth & Soapy Water
Burner	Every 2-3 Burns	Scoop Out, Shop-Vac Excess Debris
Ash Pan	Every 2-3 Burns	Scoop Out, Shop-Vac Excess Debris

REPLACEMENT PARTS

Part#	Description
1	Wind Break (x1)
2	Burner (x1)
3	Burner Shell (x1)
4	Logo Plate (x1)
5	Ash Pan (x1)
6	Foot Mats (x4)

NOTE: Due to ongoing product development, parts are subject to change without notice.



WARRANTY

CONDITIONS

All Fire Pits by Pit Boss®, manufactured by Dansons, carry a limited warranty from the date of sale by the original owner. The warranty coverage begins on the original date of purchase and proof of date of purchase, or copy of original bill of sale, is required to validate the warranty. Customers will be subject to parts, shipping, and handling fees if unable to provide proof of the purchase or after the warranty has expired. Dansons carries a one (1) year warranty against defects and workmanship on all parts. Dansons warrants that all part(s) are free of defects in material and workmanship, for the length of use and ownership of the original purchaser. Warranty does not cover damage from wear and tear, such as scratches, dents, dings, chips or minor cosmetic cracks. These aesthetic changes of the Fire Pit do not affect its performance. Repair or replacement of any part does not extend past the limited warranty beyond the one (1) year from date of purchase.

During the term of the warranty, Dansons' obligation shall be limited to furnishing a replacement for defective and/or failed components. As long as it is within the warranty period, Dansons' will not charge for repair or replacement for parts returned, freight prepaid, if the part(s) are found by Dansons' to be defective upon examination. Dansons' shall not be liable for transportation charges, labor costs, or export duties. Except as provided in these conditions of warranty, repair or replacement of parts in the manner and for the period of time mentioned heretofore shall constitute the fulfillment of all direct and derivate liabilities and obligations from Dansons to you.

Dansons takes every precaution to utilize materials that resist rust. Even with these safeguards, the protective coatings can be compromised by various substances and conditions beyond Dansons' control. High temperatures, excessive humidity, chlorine, industrial fumes, fertilizers, lawn pesticides and salt are some of the substances that can affect metal coatings. For these reasons, the warranty does not cover rust or oxidization, unless there is loss of structural integrity on the Fire Pit components. Should any of the above occur, kindly refer to the care and maintenance section to maintain the finish of your Fire Pit and prolong its lifespan. Dansons recommends the use of a full length protective cover when the Fire Pit is not in use. This warranty is based on normal domestic use and service of the Fire Pit and neither limited warranty coverage's apply for a Fire Pit which is used in commercial applications.

EXCEPTIONS

There is no written or implied performance warranty on Pit Boss®, as the manufacturer has no control over the installation, operation, cleaning, maintenance or the type of fuel burned. This warranty will not apply nor will Dansons assume responsibility if your appliance has not been installed, operated, cleaned and maintained in strict accordance with this owner's manual. Any use of fuel not outlined in this manual may void the warranty. The warranty does not cover damage or breakage due to misuse, improper handling or modifications.

Neither Dansons, or authorized Pit Boss® dealer, accepts responsibility, legal or otherwise, for the incidental or consequential damage to the property or persons resulting from the use of this product. Whether a claim is made against Dansons based on the breach of this warranty or any other type of warranty expressed or implied by law, the manufacturer shall in no event be liable for any special, indirect, consequential or other damages of any nature whatsoever in excess of the original purchase of this product. All warranties by manufacturer are set forth herein and no claim shall be made against manufacturer on any warranty or representation.

Some states do not allow the exclusion or limitation of incidental or consequential damages, or limitations of implied warranties, so the limitations or exclusions set forth in this limited warranty may not apply to you. This limited warranty gives you specific legal rights and you may have other rights, which vary from state to state.

ORDERING REPLACEMENT PARTS

To order replacement parts, please contact your local Pit Boss® Grills dealer or visit our online store at: www.pitboss-grills.com

CUSTOMER CARE

If you have any questions or problems, contact Customer Care.

www.pitboss-grills.com

USA: (480) 923-9630 | Canada: 1-877-942-2246

PROCEDURE FOR WARRANTY SERVICE

Contact your nearest Pit Boss® dealer for repair or replacement parts. Danson's requires proof of purchase to establish a warranty claim; therefore, retain your original sales receipt or invoice for future reference. Record data in the space below as the safety rating label may become worn or illegible.

MODEL

SERIAL NUMBER

DATE OF PURCHASE

AUTHORIZED DEALER

INFORMATIONS DE SÉCURITÉ

LES CAUSES MAJEURES DES INCENDIES D'APPAREILS SONT LE RÉSULTAT D'UN MAUVAIS ENTRETIEN ET D'UN DÉFAUT DE MAINTENIR DU DÉGAGEMENT REQUIS POUR LES MATÉRIAUX COMBUSTIBLES. IL EST D'UNE IMPORTANCE CRUCIALE QUE CE PRODUIT SOIT UTILISÉ SEULEMENT CONFORMÉMENT AUX INSTRUCTIONS SUIVANTES.

Veuillez lire et comprendre ce manuel avant d'assembler, d'utiliser ou d'installer le produit. Cela vous assurera de profiter au mieux et sans soucis de votre nouveau foyer circulaire. Nous vous conseillons également de conserver ce manuel pour référence ultérieure.

DANGERS ET AVERTISSEMENTS

Vous devez communiquer avec votre municipalité, vos autorités locales en matière de feu ou de construction ou toute autre autorité compétente afin d'obtenir les permis nécessaires, la permission ou des renseignements sur toutes les restrictions d'installation, y compris ceux relatifs à l'installation d'un foyer circulaire sur une surface combustible, aux règles d'inspection ou encore aux permis d'utilisation dans votre région.

1. Un dégagement minimum de 2,4 m (96 pouces) des constructions combustibles sur les côtés du foyer circulaire et 2,4 m (96 pouces) de l'arrière du foyer circulaire aux constructions combustibles doit être maintenu. **Ne pas installer l'appareil sur des planchers non combustibles ou des planchers protégés par des surfaces non combustibles à moins que des permis et autorisations adéquates n'aient été obtenus par les autorités compétentes.** Cet appareil à bois ne doit pas être placé sous un plafond ou un surplomb combustible. Gardez votre foyer circulaire dans une zone dégagée et exempte de matières combustibles, d'essence et d'autres vapeurs et liquides inflammables.

Ne laissez pas le feu sans surveillance. L'utilisation d'un extincteur approuvé toutes classes (classe ABC) est précieuse à conserver sur place. Si un incendie non contrôlé se produit, appelez les pompiers.

2. Ce foyer est conçu pour brûler du bois, du charbon de bois et des bûches seulement.

N'utilisez pas d'essence minérale, d'essence, de carburant, d'essence à briquet ou de kérosène pour allumer ou attiser un feu dans votre foyer. Conservez de tels liquides loin de l'appareil lors de l'utilisation.

3. Assurez-vous que le coupe-vent est fixé sur le brûleur pendant son utilisation. Pendant l'utilisation, le foyer peut atteindre des températures extrêmes pouvant causer des blessures graves. Il est recommandé d'utiliser le tisonnier, les mitaines ou les gants de cuisine résistants à la chaleur lors de l'utilisation du foyer. N'utilisez pas d'accessoires non prévus pour cette unité.

Ne mettez pas de couverture ou de matières inflammables sur l'unité lors de l'utilisation. Assurez-vous que le foyer ont refroidi avant de placer une couverture sur le foyer.

4. Ne transportez pas votre foyer lorsqu'il est utilisé ou lorsqu'il est chaud. Assurez-vous que le feu est complètement éteint et que le foyer est entièrement froid au toucher avant de le déplacer.
5. Des parties du foyer peuvent être très chaudes et peuvent causer des blessures graves. Ne touchez pas à la surface lors de l'utilisation. Gardez les jeunes enfants et les animaux à l'écart lors de l'utilisation.

Cette unité n'est pas recommandée pour les enfants ni les personnes aux capacités physiques, sensorielles ou mentales réduites, ou qui manquent d'expérience ou de connaissances, à moins qu'ils soient sous supervision directe ou qu'ils reçoivent des instructions par une personne responsable de leur sécurité.

6. Ne pas élargir les orifices de la grille de combustion, des trous de l'allumeur ou des pots de combustion. Le non-respect de cet avertissement pourrait entraîner un risque d'incendie et des dommages corporels et annulera votre garantie.
7. Après une période de stockage ou de non-utilisation, vérifiez l'intérieur du brûleur pour tout corps étranger et tout blocage d'air autour des orifices d'admission du ventilateur. Un entretien et un entretien réguliers sont nécessaires pour prolonger la durée de vie de votre appareil. Si le foyer est entreposé à l'extérieur pendant la saison des pluies ou les saisons de forte humidité, les granulés de bois se dilateront considérablement, se décomposeront et pourraient bloquer le système de circulation d'air.

COMBUSTIBLE GRANULES DE BOIS

L'appareil de cuisson par granulés est conçu pour être uniquement utilisé avec du bois combustible entièrement naturel sous forme de granulés. Tout autre combustible brûlé dans cet appareil annulera la garantie et les informations relatives à la sécurité. Vous devez utiliser uniquement des granulés de bois entièrement naturels, conçus pour brûler dans des barbecues à granulés. N'utilisez pas de combustible contenant des additifs. Les granulés de bois sont très sensibles à l'humidité et doivent toujours être stockés au sein d'un récipient hermétique. Si vous stockez votre gril sans l'utiliser durant une longue période, nous vous recommandons de retirer tous les granulés de la trémie et de la vis sans fin afin d'éviter tout bouchon. Le pouvoir calorifique moyen des granulés se situe entre 5,17 et 5,67 kWh/kg, avec un taux de cendre < 1 %.

Ne pas utiliser d'alcool, d'essence, de pétrole, d'essence à briquet ou du kérosène pour allumer ou faire reprendre un feu dans votre gril. Conservez tous ces liquides loin du gril lorsque celui-ci fonctionne.

Au l'impression de ce manuel, il n'y a pas de norme industrielle pour les granulés de bois de barbecue, bien que la plupart des usines de granulés utilisent les mêmes normes pour fabriquer des granulés de bois à usage domestique. Vous trouverez plus d'informations sur www.pelletheat.org ou sur Pellet Fuel Institute. Contactez votre revendeur local au sujet de la qualité des granulés dans votre région et pour des informations sur la qualité de la marque. Comme il n'y a pas de contrôle sur la qualité des pastilles utilisées, nous n'assumons aucune responsabilité à l'égard des dommages causés par une mauvaise qualité du carburant.

ÉLIMINATION DES CENDRES

Les cendres devraient être déposées dans un contenant métallique avec couvercle hermétique. Le contenant fermé de cendres devrait être placé sur un plancher non combustible ou sur le sol, loin de toute matière combustible en attendant leur élimination définitive. Lorsque les cendres sont disposées par enterrement dans le sol, ou dispersées localement, elles doivent être conservées dans un récipient fermé jusqu'à ce que toutes les cendres aient été complètement refroidies.

LE MONOXYDE DE CARBONE (« LE TUEUR SILENCIEUX »)

Le monoxyde de carbone est un gaz incolore, inodore et sans goût produit par la combustion des gaz, du bois, du propane, du charbon ou d'autres combustibles. Le monoxyde de carbone réduit la capacité du sang à transporter l'oxygène. Les faibles niveaux d'oxygène sanguin peuvent entraîner des maux de tête, des étourdissements, des faiblesses, des nausées, des vomissements, de la somnolence, de la confusion, de la perte de conscience ou la mort. Suivez les directives suivantes pour empêcher ce gaz incolore et inodore de vous empoisonner ainsi que votre famille et les autres:

- Consultez un médecin si vous ou les autres développez des symptômes similaires à un rhume ou la grippe quand vous cuisinez ou quand vous trouvez à proximité de l'appareil. L'empoisonnement au monoxyde de carbone, qui peut facilement être confondu avec le rhume ou la grippe, est souvent détecté trop tard.
- La consommation d'alcool et de drogues augment les effets de l'empoisonnement au monoxyde de carbone.

Le monoxyde de carbone est particulièrement toxique pour la mère et l'enfant pendant la grossesse, pour les nourrissons, les personnes âgées, les fumeurs et les personnes souffrant de problèmes de circulation sanguine ou du système circulatoire, tels que l'anémie ou les maladies cardiaques.



AVIS SUR LES DROITS D'AUTEUR

Droit d'auteur 2021. Tous droits réservés. Nulle partie de ce manuel ne peut être reproduite, transmises, transcrite ou stockée dans un système de recherche de quelque façon que ce soit sans l'autorisation préalable écrite de,

Dansons

8877 N. Gainey Center Dr., Scottsdale, AZ 85258
www.pitboss-grills.com

Service à la clientèle

États-Unis: (480) 923-9630
Canada (sans frais): 1-877-942-2246

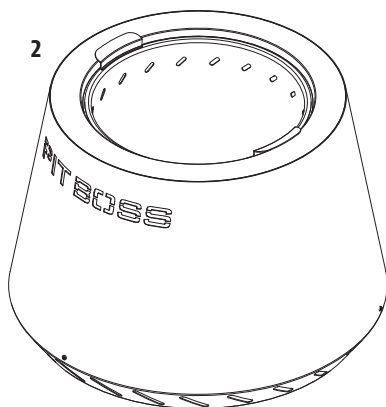
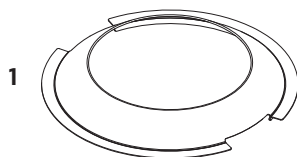
TABLE DES MATIÈRES

Informations de sécurité	12
Pièces et spécifications	15
Préparation de l'assemblage	16
Instructions d'assemblage	16
Mode d'emploi	
Instructions d'allumage	17
Entretien du feu	17
Extinction du feu	17
Voyage et stockage	18
Entretien et maintenance	18
Pièces de rechange	19
Garantie	20

PIÈCES ET SPÉCIFICATIONS

N°	Description
1	Coupe-vent (x1)
2	Brûleur (x1)

REMARQUE : de par le développement continu du produit, des pièces peuvent faire l'objet de modifications sans préavis. Contactez le service clients si des pièces manquent lors de l'assemblage de l'appareil.



MODÈLE		UNITÉ ASSEMBLÉE (WxHxD)	POIDS
PB	PB21FP	578,8 MM X 578,8 MM X 464 MM / 22,7 PO. X 22,7 PO. X 18,3 PO.	15,6 KG / 34,39 LB

PRÉPARATION DE L'ASSEMBLAGE

Les pièces se trouvent partout dans le carton d'emballage, y compris dans le foyer. Débarrassez-vous de tous les emballages avant de procéder à l'assemblage, puis passez en revue et inspectez toutes les pièces en vous référant à la liste. Si une pièce manque ou est endommagée, ne procédez pas à l'assemblage. Les dégâts liés à l'envoi ne sont pas couverts par la garantie. Contactez votre revendeur ou le service clients de Pit Boss® concernant ces pièces.

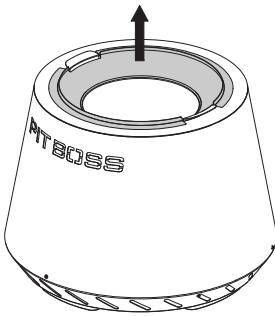
www.pitboss-grills.com

États-Unis : (480) 923-9630 | Canada : 1-877-942-2246

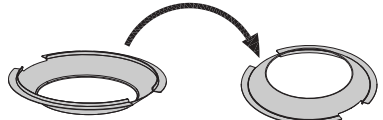
Outils requis pour l'assemblage: aucun.

INSTRUCTIONS D'ASSEMBLAGE

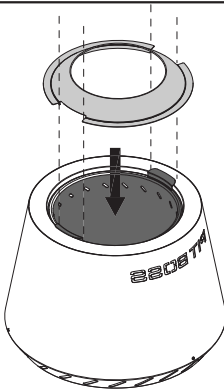
1



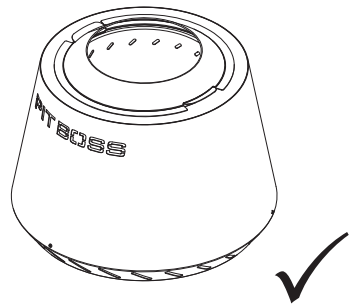
2



3



4



MODE D'EMPLOI

INSTRUCTIONS D'ALLUMAGE

1. Commencez par remplir le brûleur de votre foyer avec des granulés de bois dur. Des copeaux de bois, des morceaux de bois ou des bûches de bois de chauffage peuvent également être utilisés, mais les meilleurs résultats sont l'utilisation de granulés de bois dur.

AVERTISSEMENT : Ne remplissez pas au-delà des orifices indicateurs de la ligne de remplissage, car cela bloquerait le flux d'air pour la combustion secondaire (flamme).

2. Insérez du gel à briquet, un allume-feu liquide ou appliquez du liquide à briquet sur plusieurs zones du carburant.
3. Utilisez soit un briquet à long manche ou une allumette pour allumer un allume-feu à plusieurs endroits.

AVERTISSEMENT : N'utilisez pas de charbon de bois, d'alcool, d'essence, d'essence ou de kérosène pour allumer votre foyer. Cela pourrait causer des blessures graves.

4. Le feu s'accumulera rapidement dans le brûleur, prêt pour le plaisir.

ENTRETIEN DU FEU

Si le feu commence à diminuer, ou pour prolonger votre temps de combustion, ajoutez périodiquement plus de combustible dans le brûleur pendant que le feu brûle encore. Ajouter une petite poignée de combustible peut être ajouté d'un côté du brûleur. Si vous utilisez des granulés de bois comme combustible, ajoutez de petites quantités à la fois. Des quantités excessives de granulés de bois ajoutés en une seule fois pourraient entraîner l'étouffement du feu et une fumée excessive.

CAUTION: During use, this unit can reach extreme temperatures that can cause serious injury. It is recommended to use a heat-resistant barbecue mitts or gloves when adding fuel to avoid injury.

EXTINCTION DU FEU

Pour éteindre le feu, laissez brûler toutes les braises.

ATTENTION : Pendant l'utilisation, cet appareil peut atteindre des températures extrêmes pouvant causer des blessures graves. Il est recommandé d'utiliser des mitaines ou des gants de barbecue résistants à la chaleur lors de l'ajout de carburant pour éviter les blessures.

VOYAGE ET STOCKAGE

Le foyer peut être déplacé rapidement et facilement pour le plaisir ou le voyage.

AVERTISSEMENT : Assurez-vous toujours que le foyer est complètement refroidi avant de le déplacer. Assurez-vous que les cendres au bas de l'appareil sont également retirées.

1. Soulevez le coupe-vent et retournez-le. Remplacez sur le dessus de l'unité.
2. À l'aide de deux personnes, soulevez délicatement le foyer et déplacez-vous vers l'emplacement souhaité.

ENTRETIEN ET MAINTENANCE

Toute unité Pit Boss® vous donnera plusieurs années d'utilisation avec un minimum de nettoyage. Suivez les conseils d'entretien et de nettoyage suivants pour entretenir votre foyer et prolonger sa durée de vie :

1. COMPOSANTS DU FOYER

- Il est recommandé de nettoyer votre plateau à charbon de bois après quelques utilisations. Cela empêchera les dépôts durcis de débris ou de cendre dans le fond de celui-ci. Lorsque le plateau est froid et que toutes les braises sont complètement brûlées, jetez les cendres en enlevant et en déchargeant le plateau à charbon de bois.
- Une utilisation régulière décolorera le fond du foyer. Il s'agit d'un phénomène normal qui ne doit pas être considéré comme un défaut du produit.

2. L'EXTÉRIEUR

- Essuyez le coquille de brûleur et le coupe-vent au besoin. Assurez-vous que le foyer est complètement froid avant de le nettoyer.
- Une couverture est votre meilleure protection contre les intempéries et les polluants extérieurs. Lorsqu'il n'est pas utilisé ou pour un stockage à long terme, conservez l'unité sous une couverture dans un garage ou un hangar.

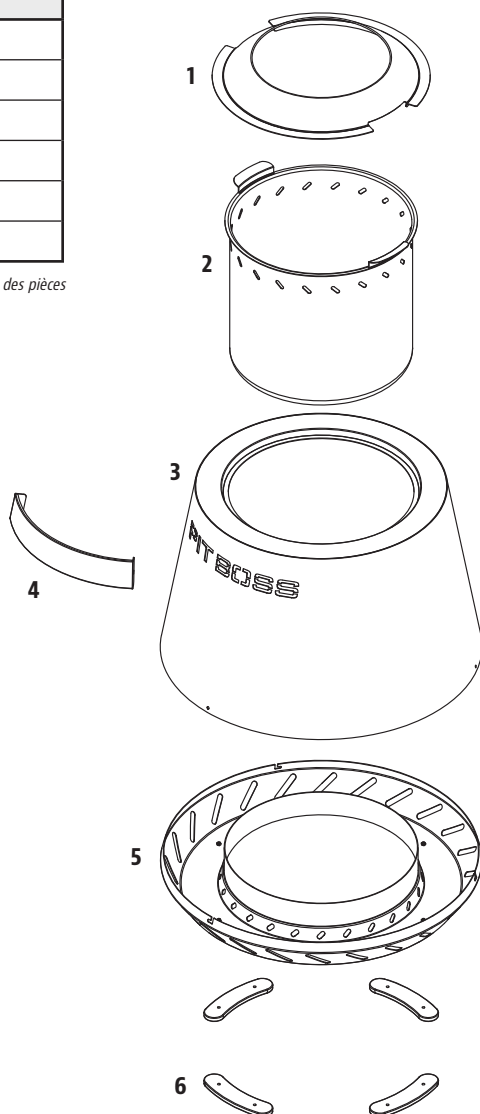
TABLEAU DE FRÉQUENCE DE NETTOYAGE (UTILISATION NORMALE)

ARTICLE	FRÉQUENCE DE NETTOYAGE	MÉTHODE DE NETTOYAGE
Coquille de brûleur, coupe-vent	Comme requis	Éponge et d'eau savonneuse
Brûleur	Toutes les 2-3 sessions de cuisson	Retirez, aspirez les excès de débris
Cendrier	Toutes les 2-3 sessions de cuisson	Retirez, aspirez les excès de débris

PIÈCES DE RECHANGE

N°	Description
1	Coupe-vent (x1)
2	Brûleur (x1)
3	Coquille de brûleur (x1)
4	Plaque de logo (x1)
5	Cendrier (x1)
6	Tapis de pied (x4)

REMARQUE : de par le développement continu du produit, des pièces peuvent faire l'objet de modifications sans préavis.



GARANTIE

CONDITIONS

Tous les foyers de Pit Boss®, fabriquées par Dansons, contiennent une garantie limitée à partir de la date de vente par le propriétaire initial. La garantie entre en vigueur la date d'achat, et une preuve de la date d'achat ou copie de votre achat de vente original est requise pour valider la garantie. Si le client n'est pas en mesure de produire une preuve de l'achat ou si la date de couverture de la garantie est dépassée, il sera tenu de payer les pièces, l'expédition et la main-d'œuvre. Dansons offre une garantie de un (1) an contre les défauts et fabrication sur toutes les pièces, et un (1) an sur les composants électriques. Dansons garantit que toute partie(s) sont exempte de défauts de matériel et de fabrication, pour la durée d'utilisation et de propriété de l'acheteur initial. La garantie ne couvre pas les dommages causés par l'usure, tels que les rayures, les bosses, les coups, les éclats ou les fissures cosmétiques mineures. Ces changements esthétiques du gril n'affectent pas sa performance. La réparation ou le remplacement d'une pièce ne prolonge pas la garantie limitée au-delà de un (1) an à partir de la date d'achat.

Pendant la période de la garantie limitée, l'obligation de Dansons sera limitée à fournir le remplacement des composants couverts et/ou défectueux. Tant que cela se produit pendant la période de la garantie, Dansons ne vous facturera pas sur la réparation ou le remplacement des pièces retournées, le port-payé, si Dansons détermine que ces pièces se révèlent défectueuses après inspection. Dansons ne sera pas tenu responsable des frais de transport, du coût salarial ou des droits d'exportation. Sauf disposition contraire dans ces conditions de garantie, la réparation ou le remplacement des pièces de la façon et pour la durée fixée ci-dessous, remplira le devoir de toutes les responsabilités et obligations directes et dérivées de Dansons envers vous.

Dansons prend toutes les précautions pour utiliser les matériaux qui retardent la formation de la rouille. Même avec ces garanties, le revêtement protecteur peut être compromis par diverses substances et conditions qui échappent au contrôle de Dansons. Les hautes températures, l'humidité excessive, le chlore, les gaz industriels, les engrais, les pesticides utilisés pour les pelouses et le sel sont quelques-unes des substances pouvant affecter les revêtements métalliques. C'est pour ces raisons que les garanties limitées ne couvrent pas la rouille ni l'oxydation, à moins que le composant du gril présente une perte d'intégrité structurelle. Si les scénarios décrits ci-dessus devaient se produire, veuillez vous référer à la section de soin et de maintenance pour prolonger la durée de vie de votre appareil. Dansons recommande l'utilisation d'une couverture de gril lorsqu'il n'est pas utilisé. Les garanties s'appliquent à un usage domestique et utilisation normale du gril et aucune des garanties limitées ne s'applique à un gril utilisé pour des applications commerciales.

EXCEPTIONS

Il n'existe pas de garantie de performance écrite ou implicite sur les appareils « Pit Boss® », car le fabricant ne contrôle pas l'installation, le fonctionnement, le nettoyage, l'entretien ou le type de combustible brûlé. La garantie limitée ne s'appliquera pas, et Dansons n'assumera aucune responsabilité, si votre appareil n'a pas été installé, opéré, nettoyé et entretenu conformément aux instructions du fabricant. Toute utilisation de gaz non précisée dans ce manuel peut annuler la garantie. La garantie ne couvre pas les dommages ou ruptures causées par une mauvaise utilisation, mauvaise manutention ou des modifications.

Dansons et les fournisseurs autorisés Pit Boss®, déclinent toute responsabilité, légale ou autre, quant aux dommages accidentels ou consécutifs à la propriété ou aux personnes résultant de l'utilisation de ce produit. Si une réclamation est retournée contre Dansons basée sur la violation de cette garantie ou de tout autre type de garantie explicite ou implicite en droit, le fabricant ne sera en aucun cas tenu responsable des dommages-intérêts spéciaux, punitifs ou indirects de quelque nature que ce soit en surplus du prix d'achat original de ce produit. Toutes les garanties du fabricant sont énoncées ici et aucune réclamation ne sera effectuée contre le fabricant par le biais d'une garantie ou de représentation.

Certaines provinces n'autorisent pas l'exclusion ou la limitation des dommages accidentels ou consécutifs, ou les limitations des garanties implicites, de sorte qu'il est possible que les exclusions et limitations énoncées dans cette garantie limitée ne s'appliquent pas à vous. Cette garantie limitée vous donne des droits légaux spécifiques, et vous pourriez aussi avoir d'autres droits légaux qui pourront varier selon l'état ou la province.

COMMANDE DE PIÈCES DE REMPLACEMENT

Pour commander des pièces de rechange, contactez votre revendeur local Pit Boss® ou visitez notre boutique en ligne à l'adresse suivante: www.pitboss-grills.com

APPELEZ LE SERVICE À LA CLIENTÈLE

Si vous avez des questions ou des problèmes, veuillez communiquer avec le service à la clientèle.

www.pitboss-grills.com

États-Unis : (480) 923-9630 | Canada : 1-877-942-2246

SERVICE DE GARANTIE

Appelez votre fournisseur de Pit Boss® le plus proche pour une réparation ou un remplacement de vos pièces. Dansons exige une preuve d'achat pour établir une réclamation sous garantie; Conservez donc votre reçu ou facture originale pour référence future. Enregistrez les numéros ci-dessous, car l'étiquette peut s'user ou devenir illisible.

MODÈLE

NUMÉRO DE SÉRIE

DATE D'ACHAT

CONCESSIONNAIRE AUTORISÉ

INFORMACIÓN DE SEGURIDAD

LAS FALLAS DE MANTENIMIENTO Y EL INCUMPLIMIENTO DE LAS DISTANCIAS REQUERIDAS ENTRE EL APARATO Y LOS MATERIALES COMBUSTIBLES SON CAUSAS IMPORTANTES DE INCENDIOS. ES DE LA MAYOR IMPORTANCIA QUE ESTE PRODUCTO SOLAMENTE SE UTILICE DE ACUERDO CON ESTAS INSTRUCCIONES.

Por favor lea y comprenda este manual en su totalidad antes de intentar armar, utilizar o instalar el producto. Esto garantizará que pueda utilizar su nuevo asador de pellets de madera de la manera más agradable y sin problemas. También le recomendamos conservar este manual para referencia futura.

PELIGROS Y ADVERTENCIAS

Debe comunicarse con su asociación local de vecinos, funcionarios de construcción o control de incendios, o con la autoridad competente, para obtener los permisos y la información necesarios sobre restricciones de instalación, como la instalación de un asador en una superficie combustible, los requisitos de inspección, o incluso la capacidad de usarlo, en su región.

1. Es necesario mantener un espacio libre mínimo de 2,4m (96 pulg.) entre materiales combustibles y los costados del asador, y de 2,4m (96 pulg.) desde la parte trasera del asador a materiales combustibles. **No instale el artefacto en pisos combustibles ni en pisos protegidos con superficies combustibles, a menos que las autoridades competentes le otorguen permisos y permisos adecuados.** No use este aparato en interiores o en un área cerrada y no ventilada. Este aparato de pellets de madera no debe colocarse bajo un techo o saliente de material combustible. Mantenga su asador en un área despejada y libre de materiales combustibles, gasolina y otros vapores y líquidos inflamables.

No deje el fuego sin vigilancia. Es muy recomendable mantener cerca un extintor de incendios aprobado para todo tipo de fuego (clase ABC). Si ocurre un incendio sin control, llame al Departamento de Bomberos.

2. Este brasero está diseñado para quemar madera, carbón o leña solamente.

No utilice alcohol, petróleo, gasolina, líquido para encendedores o queroseno para encender o avivar el fuego del brasero. Mantenga todos esos líquidos bien lejos del artefacto cuando esté en uso.

3. Asegúrese de que el cortavientos esté asegurado sobre el quemador mientras está en uso. Durante su uso, esta unidad puede alcanzar temperaturas extremas que pueden causar lesiones graves. Se recomienda utilizar un atizador, manoplas o guantes para barbacoa resistentes al calor cuando se utiliza el pozo de fuego. No utilice accesorios no especificados

para su uso con esta unidad. No coloque una cubierta ni nada inflamable sobre la unidad mientras está en uso. Asegúrese de que el pozo de fuego se haya enfriado antes de colocar una tapa sobre la encimera.

4. No transporte el brasero mientras esté en uso o caliente. Asegúrese de que el fuego se haya extinguido totalmente y de que el brasero se haya enfriado completamente para tocarlo antes de moverlo.
5. Partes del brasero pueden estar muy calientes y se pueden provocar lesiones graves. No toque la superficie mientras esté en uso. Mantenga a los niños y a las mascotas alejados mientras esté en uso.

Esta unidad no se recomienda para niños, personas con capacidades físicas, sensoriales o mentales reducidas, o que tengan falta de experiencia y conocimiento, a menos que estén bajo supervisión e instrucción directa de una persona responsable de su seguridad.

6. No agranda los agujeros del encendedor ni las cámaras de combustión. De no cumplir con esta advertencia, podría causar un peligro de incendios y lesiones corporales y anulará su garantía.
7. Después de un período de almacenamiento o sin uso, revise el interior del quemador en busca de objetos extraños y cualquier bloqueo de aire alrededor de los orificios de entrada del ventilador. Se requiere un cuidado y mantenimiento regulares para prolongar la vida útil de su unidad. Si el pozo de fuego se almacena afuera durante la temporada de lluvias o temporadas de alta humedad, los pellets de madera se expandirán mucho, se descompondrán y pueden atascar el sistema de flujo de aire.

COMBUSTIBLE DE PELLETS DE MADERA

Este aparato de cocina de pélets está diseñado y aprobado solo para combustibles de pélets de madera completamente naturales. Cualquier otro tipo de combustible que se use en este aparato anulará la garantía y los anuncios de seguridad. Debe usar únicamente pélets de madera completamente naturales, diseñados para parrillas de barbacoas con pélets. No use combustible con aditivos. Los pélets de madera son muy susceptibles a la humedad y deben guardarse siempre en un contenedor hermético. Si guarda la barbacoa y no la usa durante un período prolongado, le recomendamos retirar todos los pélets de la tolva y del alimentador de espiral de la barbacoa para prevenir bloqueos. El valor calorífico medio del combustible de pélets es de 18,6-20,4 MJ/kg (8000-8770 Btu/lb), cenizas de <1%.

No use roca de lava, trozos de madera, carbón de leña, licores, petróleo, gasolina, líquido de encendedores o queroseno para encender o avivar el fuego en su asador.

Al momento de la impresión, no hay un estándar de la industria para pellets de madera para asador, aunque la mayoría de los fabricantes de pellets usan los mismos estándares aplicados para la fabricación de pellets de madera para calefacción casera. Puede encontrar más información en www.pelletheat.org o en el Pellet Fuel Institute. Consulte a su distribuidor local sobre la calidad de los pellets en su región y pídale información la calidad de las distintas marcas. Dado que no existe ningún control sobre la calidad de los pellets utilizados, no asumimos ninguna responsabilidad por los daños causados por combustible de mala calidad.

ELIMINACIÓN DE LAS CENIZAS

Las cenizas deben ser colocadas en un recipiente metálico con una tapa hermética. El recipiente cerrado de cenizas debe colocarse en un piso no combustible o en el suelo, lejos de todos los materiales combustibles, hasta su eliminación definitiva. Cuando elimine las cenizas enterrándolas en la tierra o dispersándolas, debe conservarlas en un recipiente cerrado hasta que todas las brasas se hayan enfriado por completo.

MONÓXIDO DE CARBONO (“EL ASESINO SILENCIOSO”)

El monóxido de carbono es un gas incoloro, inodoro e insípido que se produce al quemar gas, madera, propano, carbón y otros combustibles. El monóxido de carbono reduce la capacidad de la sangre para transportar oxígeno. Los niveles bajos de oxígeno en la sangre pueden causar dolor de cabeza, mareos, debilidad, náuseas, vómitos, somnolencia, confusión, pérdida de la conciencia y muerte. Siga estas instrucciones para evitar que este gas incoloro e inodoro lo intoxique a usted, a su familia o a otras personas:

- Consulte a un médico si usted u otras personas presentan síntomas de resfriado o gripe mientras cocinan o en los alrededores del aparato. La intoxicación por monóxido de carbono, que puede confundirse fácilmente con gripe o resfriado, con frecuencia se detecta demasiado tarde.
- El consumo de alcohol y drogas aumentan los efectos de la intoxicación por monóxido de carbono.

El monóxido de carbono es especialmente tóxico para madres e hijos durante el embarazo, así como para los bebés, los ancianos, los fumadores y las personas con problemas de la sangre y el sistema circulatorio, como anemia o enfermedades cardíacas.



AVISO DE DERECHOS DE AUTOR

Copyright 2021. Todos los derechos reservados. Ninguna parte de este manual puede ser copiada, transmitida, transcrita o almacenada en un sistema de respaldo, en ninguna forma y por ningún medio, sin el permiso explícito por escrito de,

Dansons

8877 N. Gainey Center Dr., Scottsdale, AZ 85258
www.pitboss-grills.com

Servicio al cliente

EE.UU : (480) 923-9630
Canada (gratuita) : 1-877-942-2246

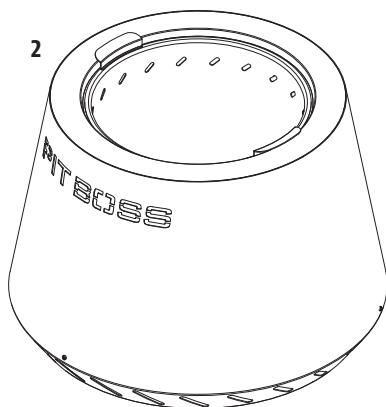
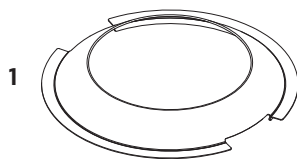
ÍNDICE

Información de seguridad.....	22
Partes y especificaciones	25
Preparación del ensamblaje	26
Instrucciones de ensamblaje	26
Instrucciones de operación	
Instrucciones de encendido.....	27
Cuidado del fuego	27
Extinción del fuego	27
Viajes y almacenamiento	28
Cuidado y mantenimiento	28
Refacciones.....	29
Garantía	30

PARTES Y ESPECIFICACIONES

N.º	Descripción
1	Rompevientos (x1)
2	Quemador (x1)

NOTA: Debido a que los productos están en desarrollo constante, las partes están sujetas a cambios sin previo aviso. Llame a Servicio al Cliente si le faltan partes al ensamblar la unidad.



MODELO	UNIDAD ENSAMBLADA (An. x Al. x Prof.)	PESO
PB PB21FP	578.8 MM X 578.8 MM X 464 MM / 22.7 PU. X 22.7 PU. X 18.3 PU.	15.6 KG / 34.39 LB

PREPARACIÓN DEL ENSAMBLAJE

Las piezas se encuentran en la caja de envío, incluso dentro del recipiente de fuego. Desembale la unidad y las piezas quitando todos los materiales de embalaje. Antes de ensamblar el producto, revise todas las partes y compárelas con la lista de referencia. Si hay partes faltantes o dañadas, no intente ensamblar el producto. Los daños por transporte no están cubiertos por la garantía. Comuníquese con su distribuidor o con Servicio al Cliente de Pit Boss® para solicitar partes.

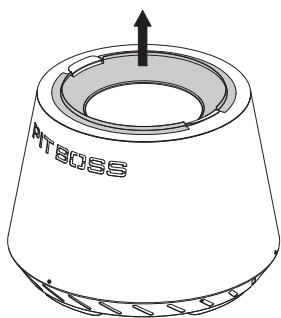
www.pitboss-grills.com

EE.UU : (480) 923-9630 | Canada : 1-877-942-2246

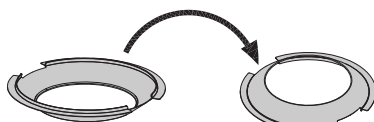
Se requiere herramienta para el ensamblaje: nada.

INSTRUCCIONES DE ENSAMBLAJE

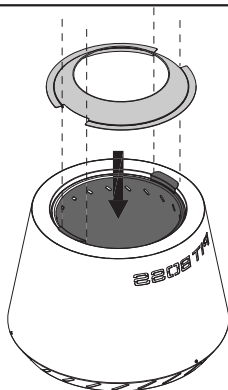
1



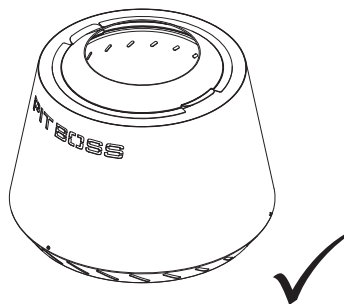
2



3



4



INSTRUCCIONES DE OPERACIÓN

INSTRUCCIONES DE ENCENDIDO

1. Comience llenando el quemador de su hoguera con pellets de madera dura. También se pueden usar astillas de madera, trozos de madera o troncos de leña, pero los mejores resultados son el uso de pellets de madera dura.

ADVERTENCIA: No llene más allá de los orificios del indicador de la línea de llenado, ya que esto bloqueará el flujo de aire para la quemadura secundaria (llama).

2. Inserte gel para encendedor, encendedor líquido o aplique líquido para encendedor en múltiples áreas del combustible.
3. Use un encendedor de mango largo o un fósforo para encender el encendedor de incendios en varios lugares.

ADVERTENCIA: No use carbón, alcohol, gasolina, gasolina o queroseno para encender su hoguera. Esto podría provocar lesiones graves.

4. El fuego se acumulará rápidamente en el quemador, listo para disfrutar.

CUIDADO DEL FUEGO

Si el fuego comienza a apagarse, o prolonga su tiempo de combustión, agregue periódicamente más combustible en el quemador mientras el fuego aún está encendido. Agregue un pequeño puñado de combustible que se puede agregar a un lado del quemador. Si usa pellets de madera como combustible, agregue pequeñas cantidades a la vez. La adición de cantidades excesivas de pellets de madera de una sola vez puede provocar la sofocación del fuego y el humo excesivo.

PRECAUCIÓN: Durante el uso, esta unidad puede alcanzar temperaturas extremas que pueden causar lesiones graves. Se recomienda usar guantes o manoplas para barbacoa resistentes al calor al agregar combustible para evitar lesiones.

EXTINCIÓN DEL FUEGO

Para extinguir el fuego, deje que se quemé todo el carbón.

ADVERTENCIA: No use agua para apagar el brasero. Esto puede dañar la estructura del brasero y reducir en gran medida su vida útil.

VIAJES Y ALMACENAMIENTO

El pozo de fuego se puede reubicar rápida y fácilmente para disfrutar o viajar.

IMPORTANTE: Asegúrese siempre de que el pozo de fuego esté completamente frío antes de moverlo. Asegúrese de que también se eliminen las cenizas de la parte inferior de la unidad.

1. Levante el cortavientos y colóquelo boca abajo. Vuelva a colocar en la parte superior de la unidad.
2. Con dos personas, levante con cuidado la hoguera y muévala a la ubicación deseada.

CUIDADO Y MANTENIMIENTO

Todas las unidades Pit Boss® le darán muchos años de uso con una mínima limpieza. Siga estos consejos de limpieza y mantenimiento para cuidar su brasero y extender su vida útil:

1. **COMPONENTES DEL RECIPIENTE DE FUEGO**
 - Se recomienda limpiar el recipiente para carbón después de un par de usos. Esto evitará que se acumulen residuos duros o cenizas en la parte inferior. Cuando se haya enfriado y todo el carbón se haya quemado completamente, elimine las cenizas y vacíe el recipiente para carbón.
 - Con el uso regular, la parte inferior del recipiente de fuego se decolorará. Esto es algo normal y no se debe considerar como un defecto del producto.
2. **COMPONENTES EXTERNOS**
 - Limpie la carcasa del quemador y el rompavientos, según sea necesario. Asegúrese de que la hoguera esté completamente fría antes de limpiarla.
 - Una cubierta es la mejor protección contra el clima y los contaminantes externos. Cuando no lo use, o para almacenarlo por períodos prolongados, mantenga el asador bajo una cubierta en una cochera o cobertizo.

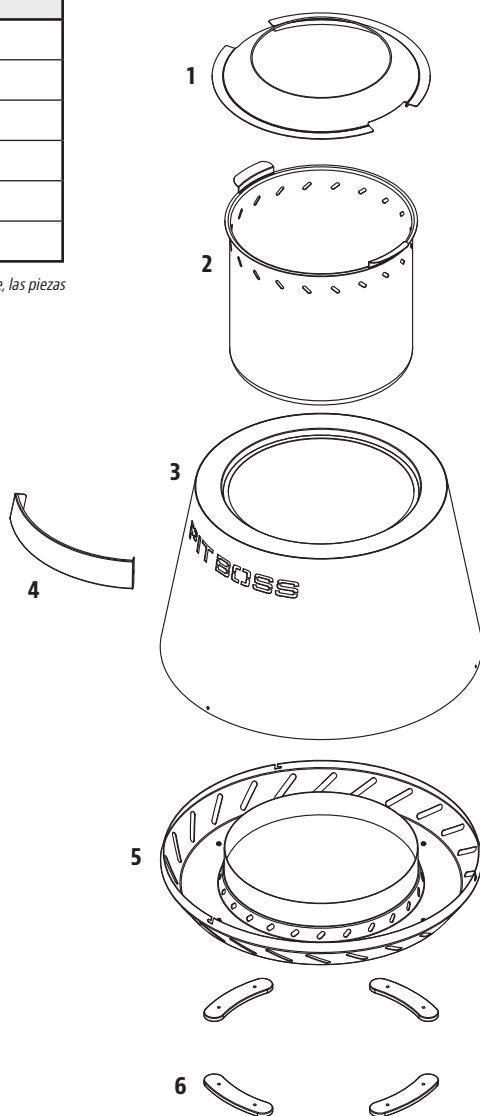
TABLA DE FRECUENCIA DE LIMPIEZA (USO NORMAL)

ARTÍCULO	FRECUENCIA DE LIMPIEZA	MÉTODO DE LIMPIEZA
Carcasa del quemador, rompavientos	Según sea necesario	Paño y agua jabonosa
Quegador	Cada 2-3 usos	Sacar con pala o aspiradora los desechos
Cenicero	Cada 2-3 usos	Sacar con pala o aspiradora los desechos

REFACCIONES

N.º	Descripción
1	Rompevientos (x1)
2	Quemador (x1)
3	Carcasa de quemador (x1)
4	Placa con logotipo (x1)
5	Cenicero (x1)
6	Alfombrillas para pies (x4)

NOTA: Debido a que el producto está en desarrollo constante, las piezas están sujetas a cambios sin aviso previo.



ESPAÑOL

GARANTÍA

CONDICIONES

Todos los braseros de Pit Boss®, fabricados por Dansons, tiene una garantía limitada a partir de la fecha de venta solo para el comprador original. La cobertura de la garantía comienza en la fecha original de compra y es necesario un comprobante de la fecha de la compra o una copia de la factura original de compra para validar la garantía. Los clientes deberán cubrir el costo de las refacciones, manejo y envío si no pueden proporcionar el comprobante de compra o si la garantía ha expirado. Dansons ofrece una garantía por un (1) año contra defectos y mano de obra en todas las partes, y por un (1) año en los componentes eléctricos. Dansons garantiza que todas las partes están libres de defectos materiales y de mano de obra, para el período de uso y propiedad del comprador original. La garantía no cubre daños por desgaste normal, tales como rasguños, abolladuras, muescas o fisuras menores superficiales. Estos cambios estéticos en la parrilla no afectan su rendimiento. La reparación o reemplazo de cualquier pieza no extiende el período de garantía limitada más allá de un (1) año de la fecha de compra.

Durante el período de la garantía, la obligación de Dansons se limitará solo a suministrar un reemplazo para componentes defectuosos y/o que presenten fallas. Durante el período de garantía, Dansons no cobrará por reparaciones o reemplazos de partes devueltas, con envío prepago, si considera que las partes son defectuosas luego de haberlas examinado. Dansons no será responsable de costos de transporte, mano de obra o derechos de exportación. Salvo por lo establecido en estas condiciones de la garantía, la reparación o reemplazo de partes, de la manera y durante el período de tiempo aquí mencionados, constituye el cumplimiento de todas las responsabilidades y obligaciones, directas y derivadas, de Dansons hacia usted.

Dansons hace todo lo posible por utilizar materiales que retarden la oxidación. Incluso con estas precauciones, diferentes sustancias y condiciones fuera del control de Dansons pueden afectar los recubrimientos protectores. Las Temperaturas altas, la humedad excesiva, el cloro, los humos industriales, los fertilizantes, los pesticidas de jardín y la sal son algunas de las sustancias que pueden afectar los recubrimientos del metal. Por estas razones, la garantía no cubre corrosión ni oxidación, a menos que exista una pérdida de integridad estructural en el componente del asador. Si ocurre alguna de las condiciones anteriores, consulte la sección de cuidado y mantenimiento para prolongar la vida útil de su unidad. Dansons recomienda el uso de una cubierta para el asador cuando este no esté en uso. La garantía se basa en el uso y servicio doméstico normal del asador, y ninguna garantía limitada se aplica a un asador que se utilice en aplicaciones comerciales.

EXCEPCIONES

No existe una garantía escrita o implícita de desempeño en los asadores Pit Boss®, ya que el fabricante no tiene control sobre la instalación, la operación, la limpieza, el mantenimiento o el tipo de combustible utilizado. Esta garantía no aplicará, y Dansons no asumirá ninguna responsabilidad, si su aparato no se instaló, operó, limpió o mantuvo en estricto cumplimiento con este manual del propietario. Cualquier uso de gas que no se explique en este manual puede anular la garantía. La garantía no cubre daños ni fallas debidas al mal uso, manejo inapropiado o modificaciones.

Ni Dansons ni el distribuidor autorizado de Pit Boss® asumen responsabilidad alguna, jurídica o de otro tipo, por los daños accidentales o consecuentes a los bienes o las personas debido al uso de este producto. Si se realiza una demanda contra Dansons con base en una infracción de esta garantía o de cualquier otro tipo de garantía explícita o implícita por la ley, el fabricante de ninguna manera será responsable de cualquier daño especial, indirecto o consecuente, ni por otros daños de cualquier naturaleza, por encima del precio original de compra de este producto. Todas las garantías del fabricante se especifican en este documento y no se puede realizar ninguna demanda contra el fabricante por cualquier garantía o promesa.

Algunos estados no permiten la exclusión o limitación de daños incidentales o consecuentes, o limitaciones de garantías implícitas, así que las limitaciones o exclusiones especificadas en esta garantía limitada podrían no aplicar para usted. Esta garantía limitada le da derechos jurídicos específicos y usted podría tener otros derechos, los cuales varían de estado a estado.

CÓMO ORDENAR REFACCIONES

Para ordenar refacciones, comuníquese con el distribuidor de Pit Boss® de su localidad, o visite nuestra tienda en línea en: www.pitboss-grills.com

CONTACTO CON SERVICIO AL CLIENTE

Si tiene preguntas o problemas, comuníquese con Servicio al Cliente.

service@pitboss-grills.com

EE.UU : (480) 923-9630 | Canada : 1-877-942-2246

SERVICIO BAJO GARANTÍA

Póngase en contacto con su distribuidor de Pit Boss® Grills más cercano para solicitar una reparación o piezas de repuesto. Dansons exige una prueba de compra para establecer la reclamación de garantía; por lo tanto, conserve su justificante o factura de compra original para consultas futuras. Tome nota de los números que se indican a continuación ya que la etiqueta puede desgastarse o volverse ilegible.

MODELO

NÚMERO DE SERIE

FECHA DE COMPRA

DISTRIBUIDOR AUTORIZADO

IMPORTANT

DO NOT RETURN PRODUCT TO STORE

For all questions, comments, or inquiries, please contact Dansons directly.

USA: (480) 923-9630

CANADA (TOLL FREE): 1-877-942-2246

IMPORTANT

NE RETOURNEZ PAS LE PRODUIT AU MAGASIN

Pour toute questions, commentaires ou demandes de renseignements, veuillez communiquer avec Dansons directement.

ÉTATS-UNIS : (480) 923-9630

CANADA (SANS FRAIS) : 1-877-942-2246

¡IMPORTANTE!

NO DEVUELVA EL PRODUCTO A LA TIENDA

Para el preguntas, comentarios o consultas, por favor contactar Dansons directamente.

EE.UU : (480) 923-9630

CANADA (GRATUITA) : 1-877-942-2246

⚠️ WARNING: COMBUSTION OF CHARCOAL CAN EXPOSE YOU TO CHEMICALS INCLUDING SOOT, WHICH IS KNOWN TO THE STATE OF CALIFORNIA TO CAUSE CANCER, AND CARBON MONOXIDE, WHICH IS KNOWN TO THE STATE OF CALIFORNIA TO CAUSE BIRTH DEFECTS OR OTHER REPRODUCTIVE HARM. FOR MORE INFORMATION GO TO WWW.P6SWARNINGS.CA.GOV

⚠️ AVERTISSEMENT : LA COMBUSTION DU CHARBON PEUT VOUS EXPOSER À DES PRODUITS CHIMIQUES INCLUANT LA SUIE, CONNUE PAR L'ÉTAT DE CALIFORNIE POUR CAUSER LE CANCER, ET LE MONOXYDE DE CARBONE, CONNU PAR L'ÉTAT DE LA CALIFORNIE COMME CAUSANT DES ANOMALIES CONGÉNITALES OU AUTRES EFFETS NOCIFS SUR LA REPRODUCTION. POUR ACCÉDER À D'AUTRES INFORMATIONS, RENDEZ-VOUS À WWW.P6SWARNINGS.CA.GOV

⚠️ ADVERTENCIA: LA COMBUSTIÓN DEL CARBÓN PUEDE EXPONERLO A SUSTANCIAS QUÍMICAS, INCLUYENDO EL HOLLÍN, QUE EL ESTADO DE CALIFORNIA SABE QUE PROVOCAN CÁNCER, Y AL MONÓXIDO DE CARBONO, QUE EL ESTADO DE CALIFORNIA SABE QUE CAUSA DEFECTOS CONGÉNITOS Y OTROS DAÑOS REPRODUCTIVOS. PARA OBTENER MÁS INFORMACIÓN, VISITE WWW.P6SWARNINGS.CA.GOV



780210826UMV

PITBOSS-GRILLS.COM
MADE IN CHINA | FABRIQUÉ EN CHINE

